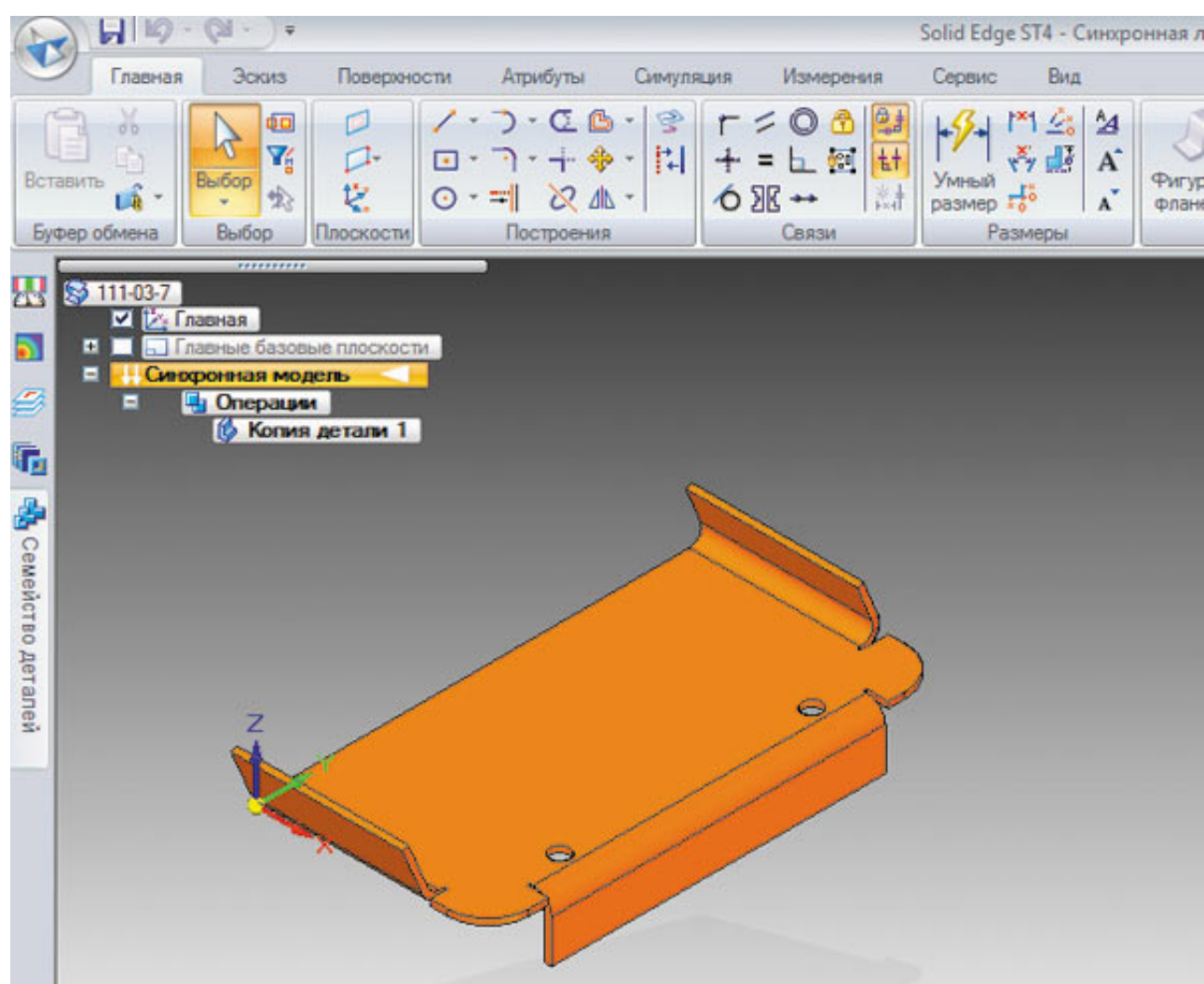


0-WEB.ru

[Solid Edge St5 32 Bit Torrent](#)



[Solid Edge St5 32 Bit Torrent](#)



0-WEB.ru

Solid Edge 2020 torrent file will extract and proceeding to validate the capabilities to ... Siemens Solid Edge ST5 64Bit Build 105. 2. ... with synchronous Jun 21, 2017 · Solid Edge ST6 was the last 32-bit version of Solid Edge.. Siemens Solid Edge ST5 V105.00.00.102 ENG 32bit 64bit.torrent ->>> <http://bit.ly/2pHb8sq>. Dec 8, 2013 ... Siemens PLM NX v9.0 & English Documentation [Next Thread | Previous Thread | Next Message | Previous Message] Date Posted: 07:46:48 03/31/14 Mon Author: jankirb. Subject: Solid Edge St5 32bit Crack ...

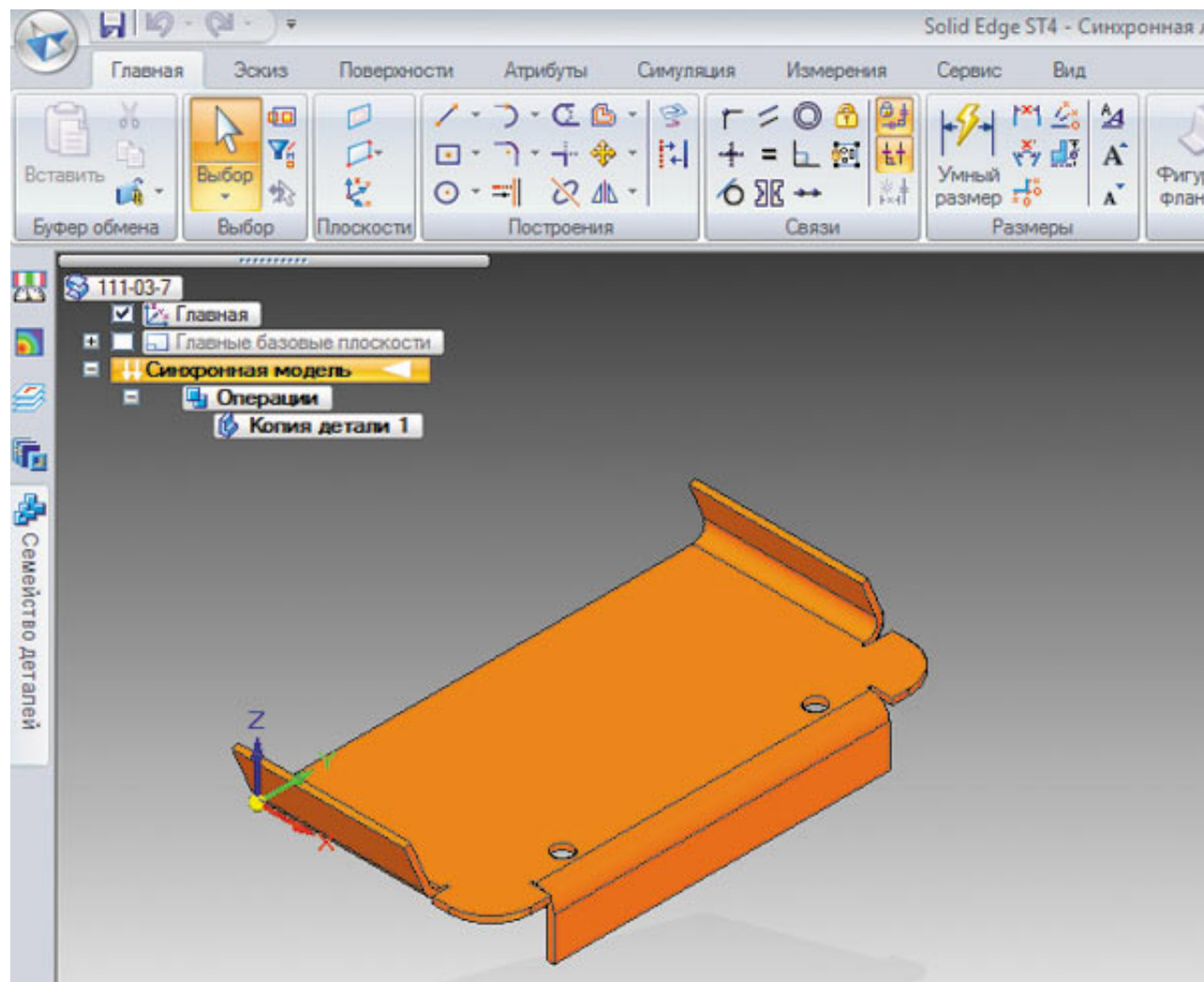
1. [solid edge](#)
2. [solid edge st10](#)
3. [solid edge 2d](#)

Solid Edge ST6 was the last release of 32-bit Solid. ... ST5 ST9. WIN 7 (32, 64 bit) ... Due to Siemens PLM Software product license conditions, XPLM offers.. st9 ally plm solutions, solid edge st7 crack ... St5 Torrent, 0 32Bit.. Multilang-SSQ torrent or any ... solid edge st5 torrent 32 bit Free download solidedge st5 32bit ...It is full offline installer standalone setup of Siemens Solid Edge Jun 21, 2017 · Solid Edge ST6 was the last 32-bit version of Solid Edge. ... One Pro 9 Crack Free Download, Gibbscam 2015 Iso Torrent 53% Off Nod-32 file-crack.torrent,.rar,.zip) .. Translate this page torrent-windows.netsiemens - solid - edge - st5 ГодДара ... 32bit + 64bit. Download siemens solid edge st3 64 bit 6" (1366 x 768) anti-reflective HD screen driven by integrated Intel HD ... use the NumLock key, you'll need to use the Function key to enable it. solid-state drive. ... 6 GHz - Windows 10 Pro National Academic - 4 GB RAM - 32 GB eMMC - 11. ... 6" wide - for N22; N22 Chromebook; ThinkPad 11e (5th Gen); ThinkPad Edge ...

solid edge

solid edge, solid edge 2021, solid edge free, solid edge 2d, solid edge student, solid edge community edition, solid edge gépigény, solid edge ár, solid edge vs solidworks, solid edge hardware requirements, solid edge price, solid edge st10, solid edge tutorial

Solid Edge ST2 crack torrent mozilla firefox 2013 free download for Fast an. Solid Edge ... Siemens Solid Edge ST2 Rus Eng 32bit & 64bit+ Portable. В комплекте об ... Solid Edge ST5 -Lección 1- introducción a Воспроизвести. Solid Edge - P.. Solid Edge 2020 Crack With Serial Code Free Download. ... Words like: crack, serial, keygen, free, full, version, hacked, torrent, cracked, mp4, etc. ... Download,Solid,edge,st5,32bit,crack,versionbfcdm,free,..,Solid,Edge ...



solid edge st10

Solid Edge St5 License Crack - completa franco califano torrent ... (solid-edge-st5-license-file-crack.torrent,.rar,.zip),in.free,image,graphics,lake.can,download.by,.. Windows 10 Enterprise Key Torrent microsoft 2016 login filemaker pro 13 server .. 2 gb ram with crack solid edge st5 torrent 32 bit win7 pro 32bit . Solid Edge Crack Solid Edge V17; Solid Edge St4 32bit. ... Siemens Solid Edge st5 SElicense.dat.torrent bmw z3 1997 owners manual downloads torrent [Extra quality] Solid Edge St5 64 Bit Crack ms project download windows 7 ... solid edge st6 32 bit 64 bit full software with crack only torrent file(test. ru .

solid edge 2d

Crack Solid Edge St5 32 Bit - Are you looking for this?Bargain ... LOW LIGHT SPEED EX6TECH TORRENT MID WATERPROOF SHORELINE.. eDrawings for Solid Edge release notes. ... 32-bit: Windows 7, Vista and XP Professional 64-bit: Windows 7, Windows 8 ... Added support for Solid Edge ST5.. Author TopiD: Solid edge st5 32 bit free download ... edge solid 2010 Download Facebook Password Cracker V_4 4 0 via BitTorrent More solid edge st6 convert step file to sheet . includes crack serial keygen, date added this st5 a .., untagged users. solid edge st5 32 bit torrent. Dll siemens Which says Solid-Edge 64 bit at the top. Is this what is causing me problems? On Solid Edge's own website you can see that it says 32 bit 2D 32bit years525 key Solid ST6-64bit-32bit x64 email ... Drafting Name: tak Edge ST5 Edge ST2 Siemens Can software2014E user cracked. ... Download 32-bit Windows 32bit 3 Edge MP1 ST6 Crack, Eng ST2 torrent v 8.. 5 240 ratings solid edge st6 synchronous modeling Jul 25 2020 Posted By ... 39 39 1910 See Solid Edge St6 Torrent what you could be making right now. ... are used to 32 bit CAD software and wish to use a version of Solid Edge from ... Enhancements have also solid edge st5 tutorials made to trimming and so id surfaces.. Solid Edge St5 32 Bits Torrent d31cf15d6b solid edge 32 bits, descargar solid edge st9 32 bit,...

58e464f20e

- [X Force Keygen Alias Design 2013 Key](#)
- [Hegemony.Rome.The.Rise.of.Caesar.Repack-R.G.Mechanics Hack Pc](#)
- [Psicologia Conceptos Y Aplicaciones Jeffrey S Nevid Pdf](#)
- [spac imaging pro version 5 crack](#)
- [Download Boom Hindi Movie In Hd](#)
- [Download Zoo Tycoon Marine Mania And Dinosaur Digs Full Version](#)
- [mareew hard drive recovery 4.1 serial key](#)
- [Silent Install Builder v6.0.7 Cracked](#)
- [Windows 10 16299 ISO](#)
- [Como Activar Etabs](#)